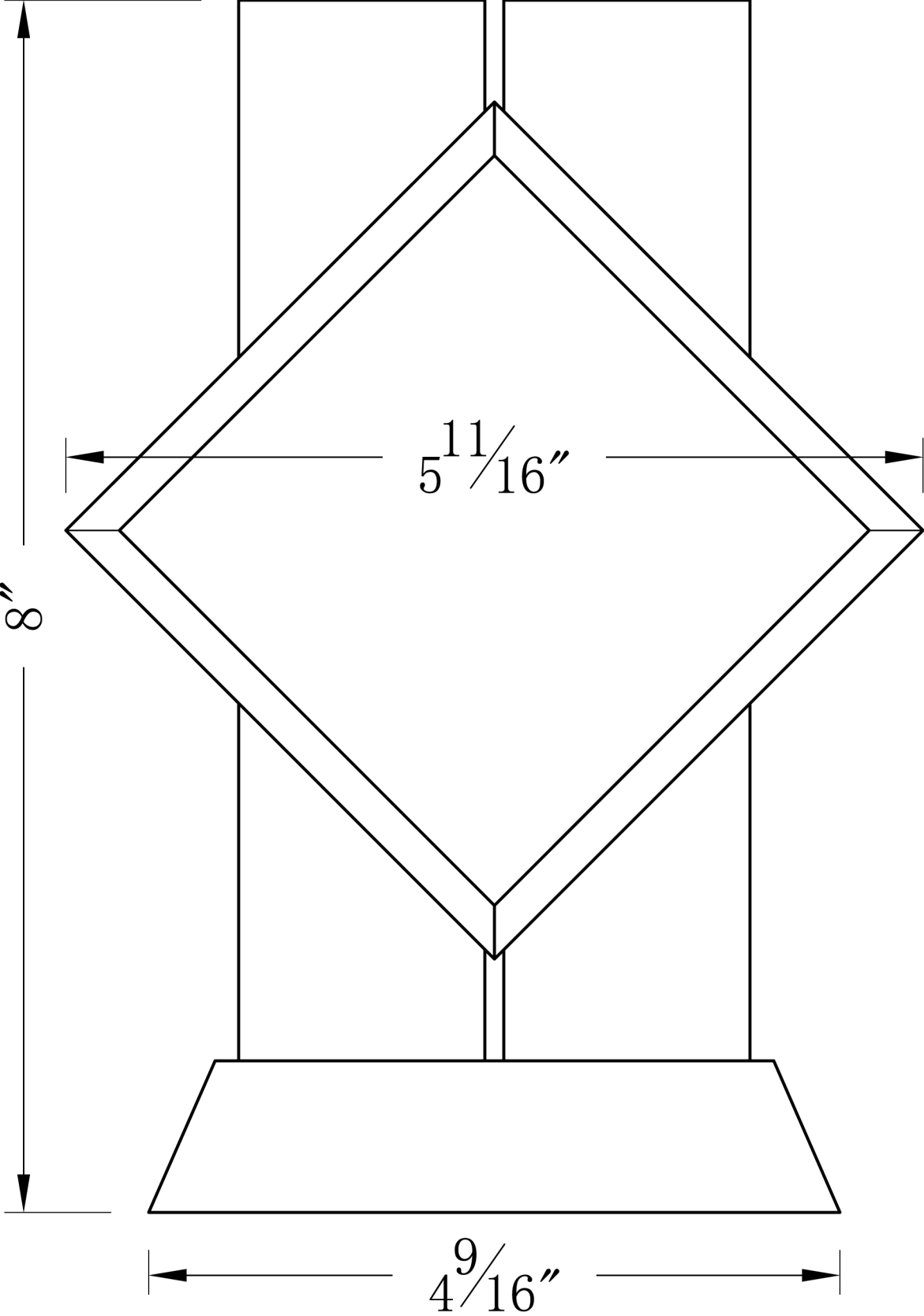


Z-19458 Medium Marquise



Impring Area: 3-1/2" W X 3" H

Imprint Method: Laser-Etch